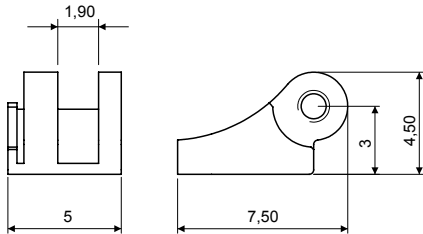


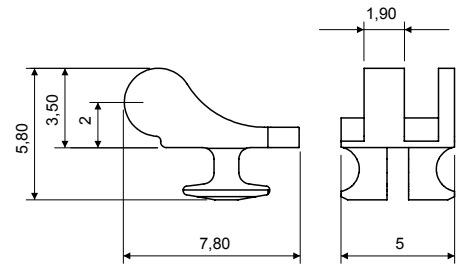
WR302 DESIGN LINE (5.0)

Regular Hinge and Wirecore
for **Acetate and Combination Frames**



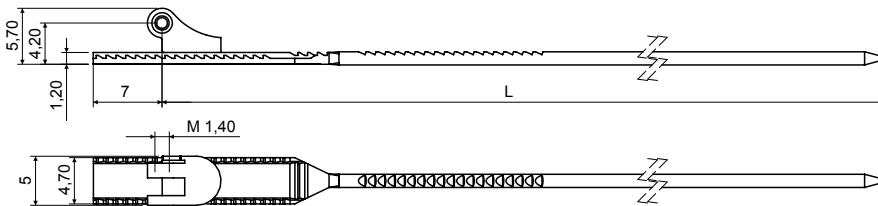
FEMALE 03FECF869A1BY0
Material: **Nickel silver**

HINGES



180° INSERT HINGE 03MACF872A2BN0
Material: **Nickel silver**

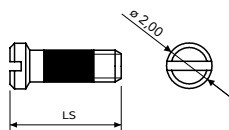
WIRECORES



WIRECORE	
L	CODE
128	03WRCF891A128BN0
133	03WRCF891A233BN0

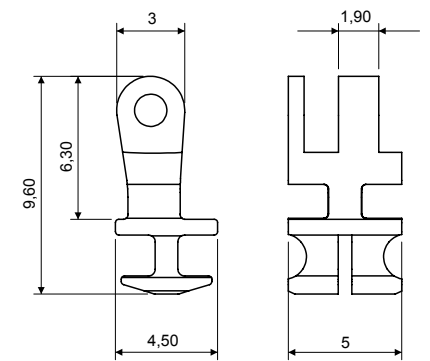
Material: **Nickel silver**

SCREWS

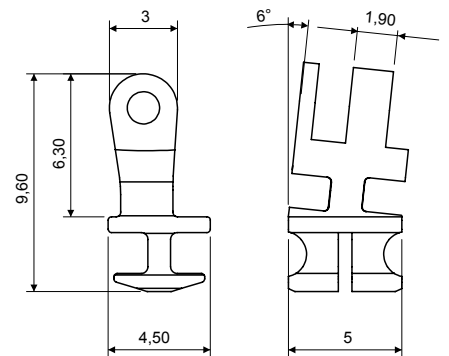


VIT SCREW M1.40	
LS	CODE
4.90	07VI20049003

Material: **Stainless steel**
Visottica Injection Technology



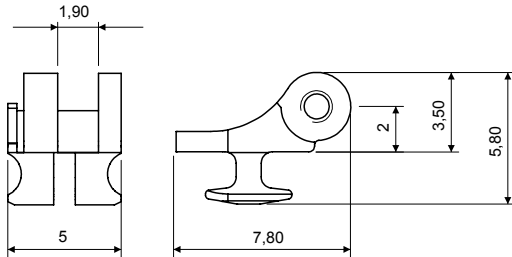
90° INSERT HINGE 03MACF865A1BN0
Material: **Nickel silver**



90° INSERT HINGE 03MACF878A2BN0
Material: **Nickel silver**
6° SLANTED ANGLE

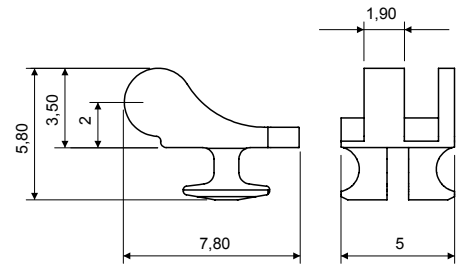
WR302 DESIGN LINE (5.0)

Regular Hinge and Wirecore
for **Injection Frames**

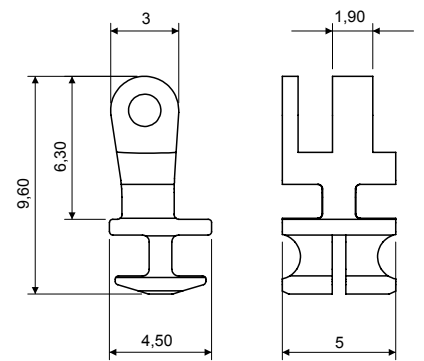


FEMALE 03FECF881A2BN0
Material: **Nickel silver**

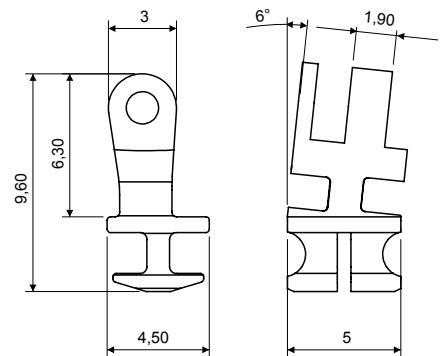
HINGES



180° INSERT HINGE 03MACF872A2BN0
Material: **Nickel silver**

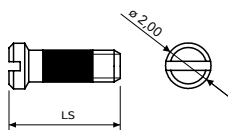


90° INSERT HINGE 03MACF865A1BN0
Material: **Nickel silver**



90° INSERT HINGE 03MACF878A2BN0
Material: **Nickel silver**
6° SLANTED ANGLE

SCREWS



VIT SCREW M1.40

LS	CODE
4.90	07V120049003

Material: **Stainless steel**
Visottica Injection Technology