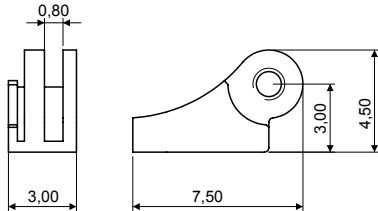


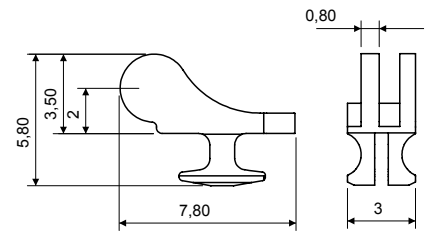
WR302 DESIGN LINE (3.0)

Regular Hinge and Wirecore
for **Acetate and Combination Frames**



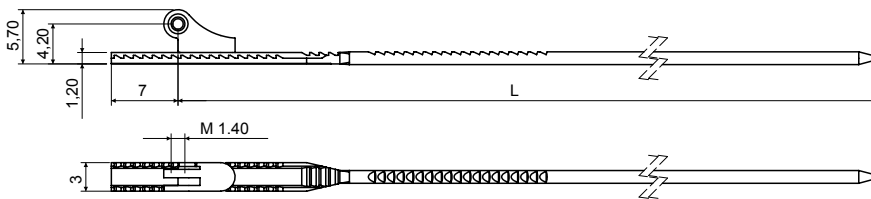
FEMALE 03FECF867A1BY0
Material: **Nickel silver**

HINGES



180° INSERT HINGE 03MACF870A2BN0
Material: **Nickel silver**

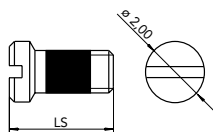
WIRECORES



WIRECORE	
L	CODE
128	03WRFCF889A128BN0
133	03WRFCF889A233BN0

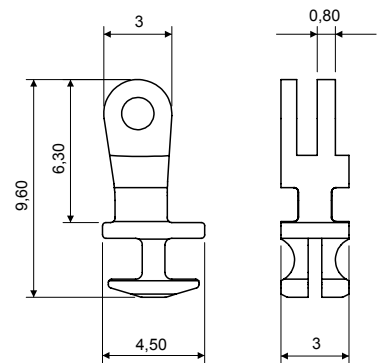
Material: **Nickel silver**

SCREWS

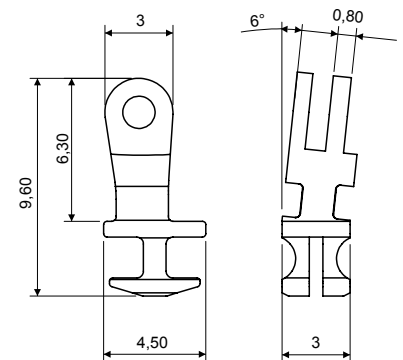


VIT SCREW M1.40	
LS	CODE
2.95	07VIA0555A1BYX

Material: **Stainless steel**
Visottica Injection Technology



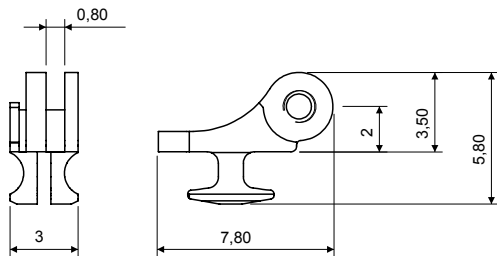
90° INSERT HINGE 03MACF863A1BN0
Material: **Nickel silver**



90° INSERT HINGE 03MACF874A2BN0
Material: **Nickel silver**
6° SLANTED ANGLE

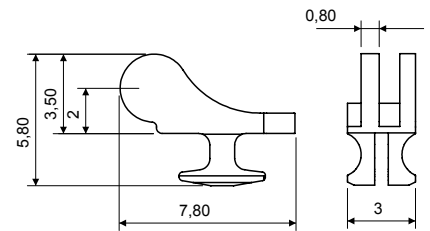
WR302 DESIGN LINE (3.0)

Regular Hinge and Wirecore
for **Injection Frames**

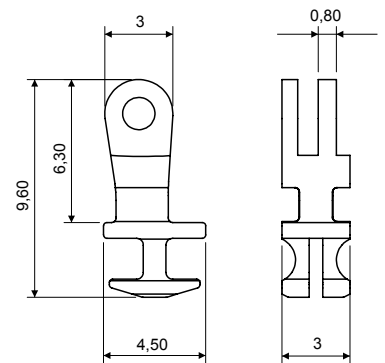


FEMALE 03FECF879A2BN0
Material: **Nickel silver**

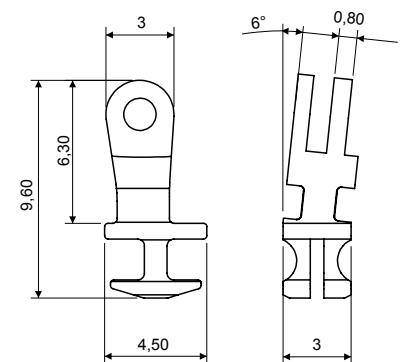
HINGES



180° INSERT HINGE 03MACF870A2BN0
Material: **Nickel silver**

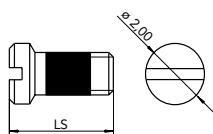


90° INSERT HINGE 03MACF863A1BN0
Material: **Nickel silver**



90° INSERT HINGE 03MACF874A2BN0
Material: **Nickel silver**
6° SLANTED ANGLE

SCREWS



VIT SCREW M1.40

LS	CODE
2.95	07VIA0555A1BYX

Material: **Stainless steel**
Visottica Injection Technology