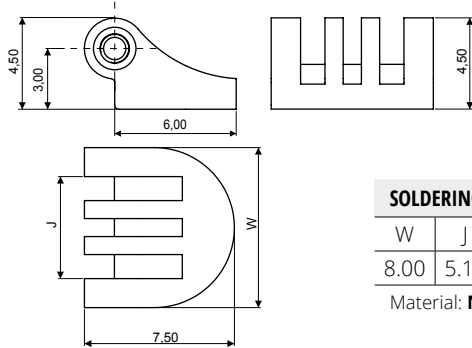


WR 302 (8.0) · 7 joints

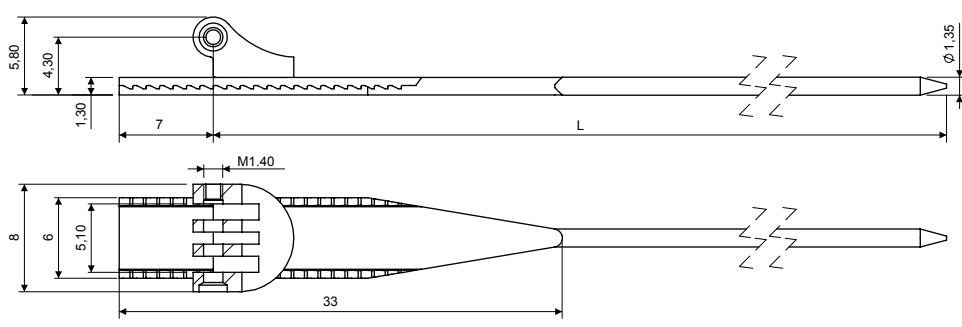
Regular Hinge and Wirecore
for **Acetate and Combination Frames**



| SOLDERING FEMALE | | |
|------------------|------|----------------|
| W | J | CODE |
| 8.00 | 5.10 | 03FECG176A1BY0 |

Material: **Nickel silver**

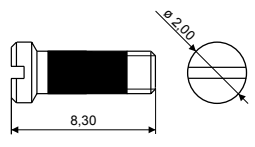
WIRECORES



| WIRECORE | |
|----------|------------------|
| L | CODE |
| 128 | 03WRCG549A228BN0 |
| 133 | 03WRCG549A333BN0 |

Material: **Nickel silver**

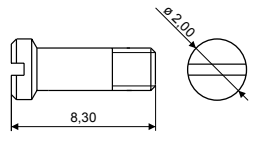
SCREWS



| VIT SCREW M1.40 | |
|-----------------|--------------|
| W | CODE |
| 8.00 | 07V120083002 |

Material: **Stainless steel**
Visottica Injection Technology

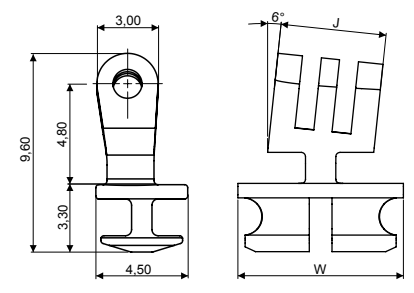
ON REQUEST



| MINUS SCREW M1.40 | |
|-------------------|--|
|-------------------|--|

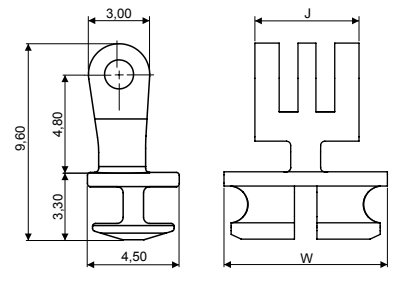
Material: **Stainless steel**

HINGES



| 90° INSERT HINGE | | |
|------------------|------|----------------|
| W | J | CODE |
| 8.00 | 5.10 | 03MACG060A1BN0 |

Material: **Nickel silver**
HIGH VERSION ADJUSTABLE
6° SLANTED ANGLE



| 90° INSERT HINGE | | |
|------------------|------|----------------|
| W | J | CODE |
| 8.00 | 5.10 | 03MACG370A1BNX |

Material: **Nickel silver**
HIGH VERSION ADJUSTABLE