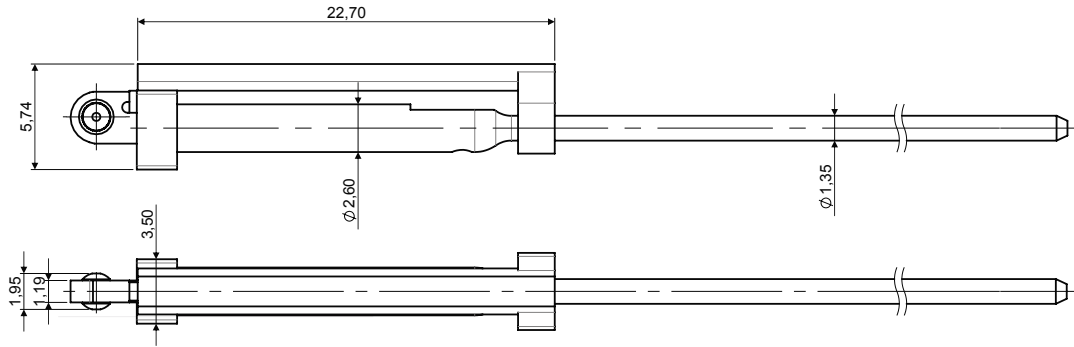


PATENTED

# WF SNAP IN

Wirecore flex easy lock,  
no screws

## WIRECORES



### WIRECORE

L 130	05WFCL046A130BNX
L 135	05WFCL046A235BNX

Material: **Nickel silver**

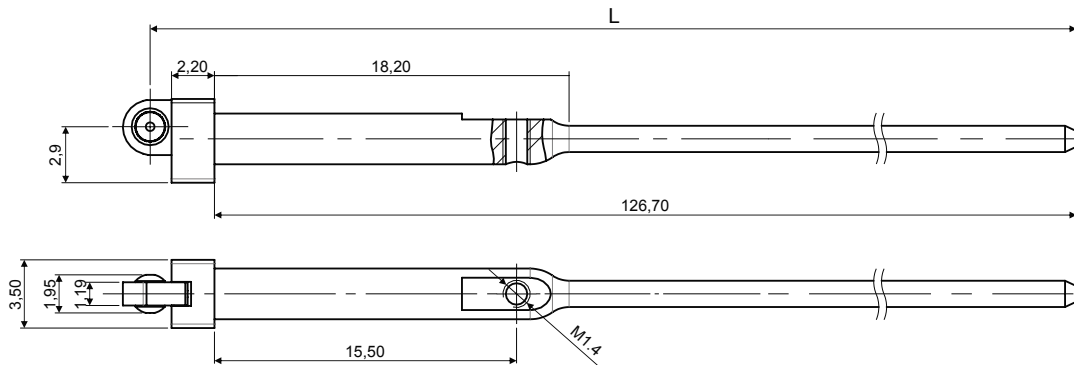
Trolley: **Hard Trolley**

Note: **Soft Trolley** available on request



### NOTE

- 1 - The wirecore is provided assembled to the spacer (as from the drawing above)
- 2 - The spacer must be removed after assembling the temple.



Drawing of the wirecore without the spacer (for reference only)

## HINGES

### 90° INSERT HINGE

03FRCL062A1BNX

Material: **Nickel silver**

