

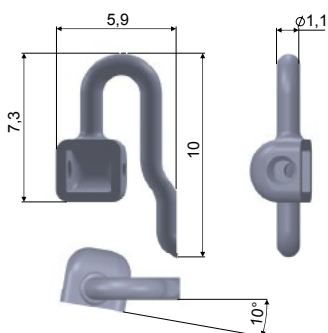
PAD ARM

SCREW SYSTEM	03PD91053000
---------------------	--------------

Stem code: OA7428
 Stem shape: 207
 Stem \varnothing 1.10
 Stem alloy Nickel Silver 18% Ni · CuNi18Zn20

MINIBOX

Minibox alloy Nickel Silver 18% Ni · CuNi18Zn20
 Slanted minibox 10°



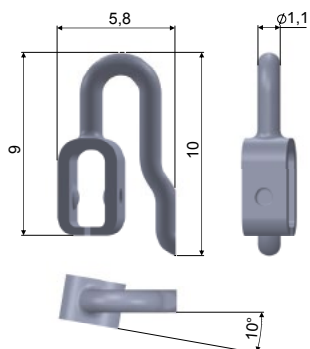
PAD ARM

SCREW SYSTEM	03PD90395000
---------------------	--------------

Stem code: OA7578
 Stem shape: 214
 Stem \varnothing 1.10
 Stem alloy Nickel Silver 18% Ni · CuNi18Zn20

NORMAL BOX

Box alloy Nickel Silver 18% Ni · CuNi18Zn20
 Slanted box 10°



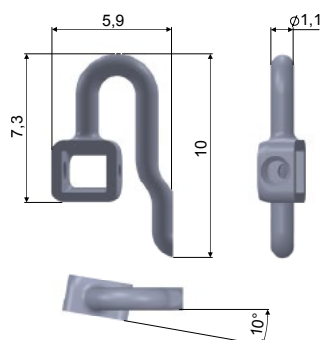
PAD ARM

CLICK SYSTEM	03PD90516000
---------------------	--------------

Stem code: OA7578
 Stem shape: 214
 Stem \varnothing 1.10
 Stem alloy Nickel Silver 18% Ni · CuNi18Zn20

NORMAL BUCKLE

Buckle alloy · CuNi9Sn6
 Buckle 10°



PAD ARM

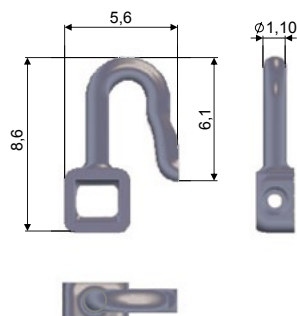
SCREW SYSTEM	03PD91051000
---------------------	--------------

Stem code: OA7578
 Stem shape: 214
 Stem \varnothing 1.10
 Stem alloy Nickel Silver 18% Ni · CuNi18Zn20

MINIBOX

Minibox alloy Nickel Silver 18% Ni · CuNi18Zn20
 Slanted minibox 10°

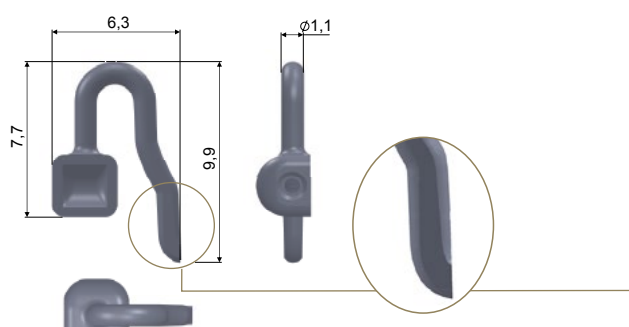
NICKEL SILVER 18% Ni MATERIAL



PAD ARM

SCREW SYSTEM	03PD91229000
---------------------	--------------

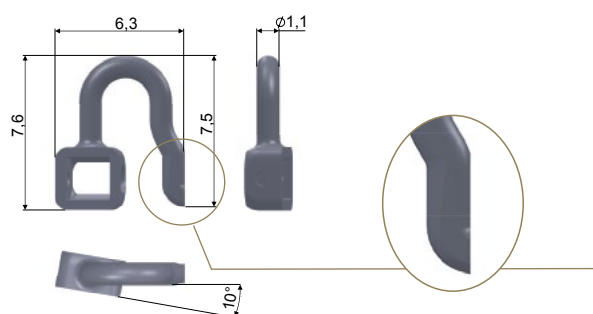
Stem code: OA7559
 Stem shape: 214
 Stem \varnothing 1.10
 Stem alloy Nickel Silver 18% Ni · CuNi18Zn20
MINIBOX
 Minibox alloy Nickel Silver 18% Ni · CuNi18Zn20



PAD ARM

SCREW SYSTEM	03PD92097000
---------------------	--------------

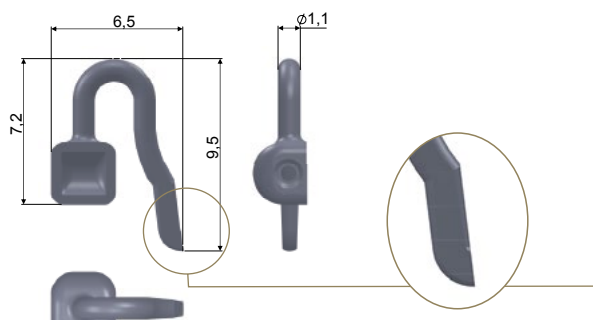
Stem code: ROA0121
 Stem shape: 214
 Stem \varnothing 1.10
 Stem alloy Nickel Silver 18% Ni · CuNi18Zn20
NORMAL BOX
 Box alloy Nickel Silver 18% Ni · CuNi18Zn20
STAMPED STEM 0.9 mm AT THE END



PAD ARM

SCREW SYSTEM	03PD93632000
---------------------	--------------

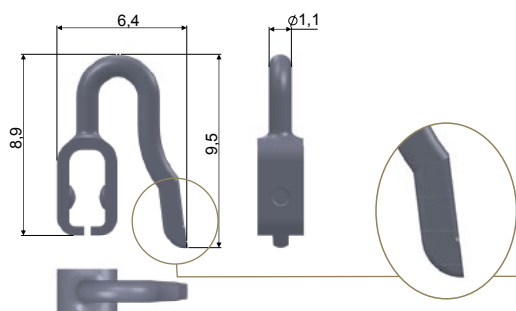
Stem code: ROA0011
 Stem shape: 214
 Stem \varnothing 1.10
 Stem alloy Nickel Silver 18% Ni · CuNi18Zn20
MINIBOX
 Box alloy Nickel Silver 18% Ni · CuNi18Zn20
 Slanted box 10°
STAMPED STEM 0.9 mm AT THE END



PAD ARM

SCREW SYSTEM	03PD90520000
---------------------	--------------

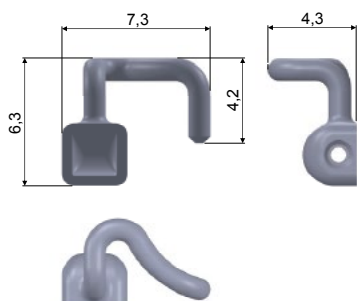
Stem code: ROA0022
 Stem shape: 214
 Stem \varnothing 1.10
 Stem alloy Nickel Silver 18% Ni · CuNi18Zn20
NORMAL BOX
 Box Alloy Nickel Silver 18% Ni · CuNi18Zn20
STAMPED STEM 0.7 mm AT THE END



PAD ARM

CLICK SYSTEM	03PD90479000
---------------------	--------------

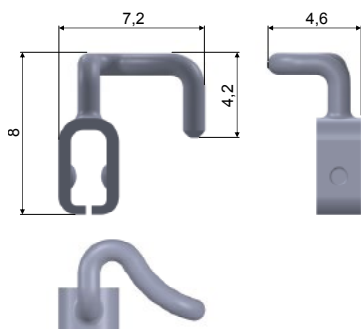
Stem code: ROA0022
 Stem shape: 214
 Stem ϕ 1.10
 Stem alloy Nickel Silver 18% Ni · CuNi18Zn20
NORMAL BUCKLE
 Buckle alloy · CuNi9Sn6
STAMPED STEM 0.7 mm AT THE END



PAD ARM

SCREW SYSTEM	03PD90505000
---------------------	--------------

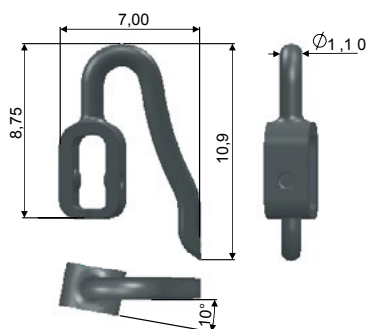
Stem code: OA7380
 Stem shape: 310
 Stem ϕ 1.10
 Stem alloy Nickel Silver 18% Ni · CuNi18Zn20
NORMAL BOX
 Box alloy Nickel Silver 18% Ni · CuNi18Zn20
 3D shape



PAD ARM

CLICK SYSTEM	03PD90701000
---------------------	--------------

Stem code: OA7380
 Stem shape: 310
 Stem ϕ 1.10
 Stem alloy Nickel Silver 18% Ni · CuNi18Zn20
NORMAL BUCKLE
 Buckle alloy CuNi9Sn6
 3D shape



PAD ARM

CLICK SYSTEM	03PD91294000
---------------------	--------------

Stem code: OA7523
 Stem shape: 225
 Stem ϕ 1.10
 Stem alloy Nickel Silver 18% Ni · CuNi18Zn20
NORMAL BUCKLE
 Buckle alloy CuNi9Sn6
 Buckle 10°