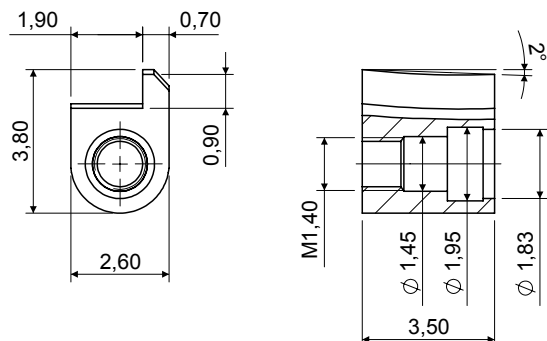


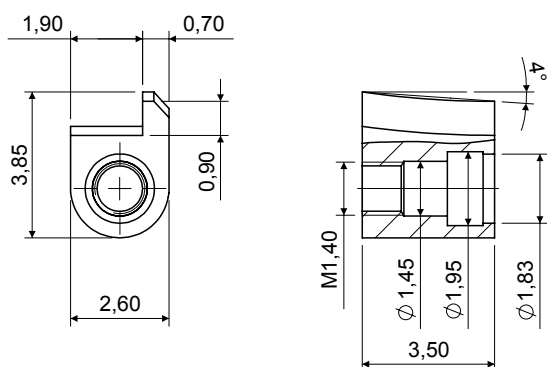
PATENTED

SAFETY RIMLOCK

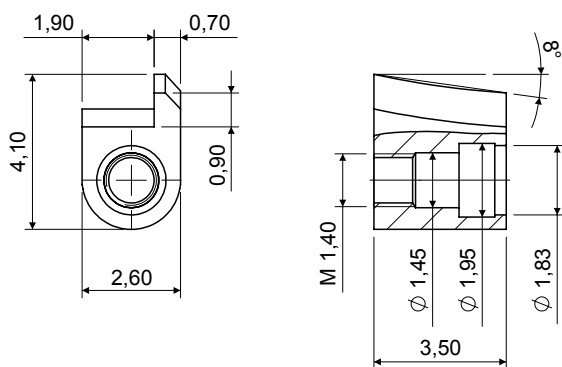
Innovative rimlock family



RIMLOCK 2.60x3.50		
α 2°	H 3.80	03RLCE637A1BY0
Material: Nickel silver		



RIMLOCK 2.60x3.50		
α 4°	H 3.85	03RLCE639A1BY0
Material: Nickel silver		



RIMLOCK 2.60x3.50		
α 8°	H 4.10	03RLCE638A1BY0
Material: Nickel silver		

SCREWS

VIT SCREW M1.40	
LS	CODE
2.850	07VIC8096A1BYX
Material: Stainless steel	
Visottica Injection Technology	

