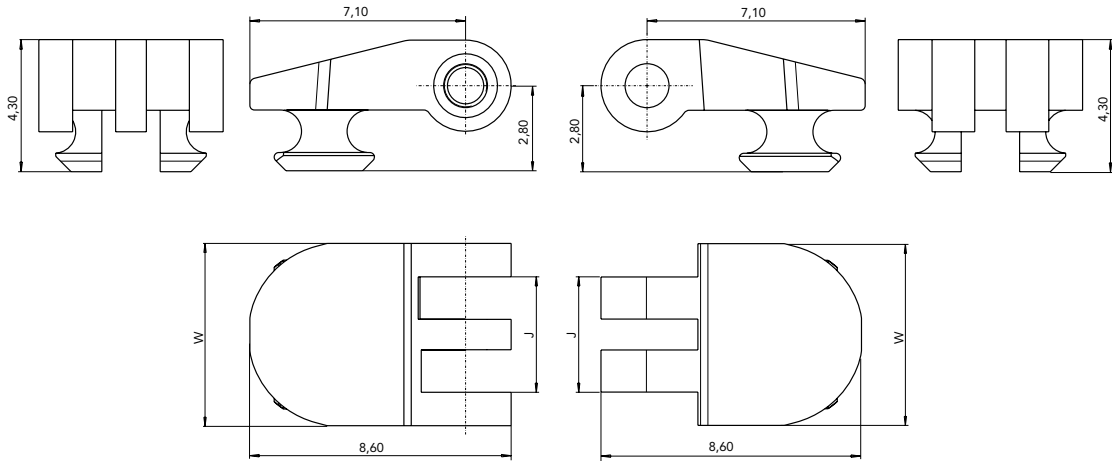


N°46 (6.0)

Regular Hinge
for **Injection Frames**



INSERT FEMALE HINGE

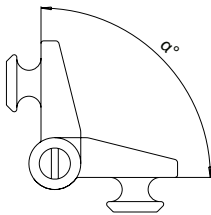
W	J	α	CODE
6.00	3.80	90°	03FE60046000

Material: **Nickel silver**

INSERT MALE HINGE

W	J	α	CODE
6.00	3.80	90°	03MA60046000

Material: **Nickel silver**



CLOSING ANGLE

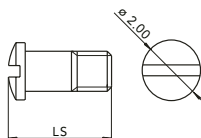
Note: closing angle limited (90°)

SCREWS

MINUS SCREW M1.40

W	LS	CODE
6.00	6.50	07VI20065012

Material: **Stainless steel**



VIT SCREW M1.40

W	LS	CODE
6.00	6.40	07VI20064009

Material: **Stainless steel**
Visottica Injection Technology

