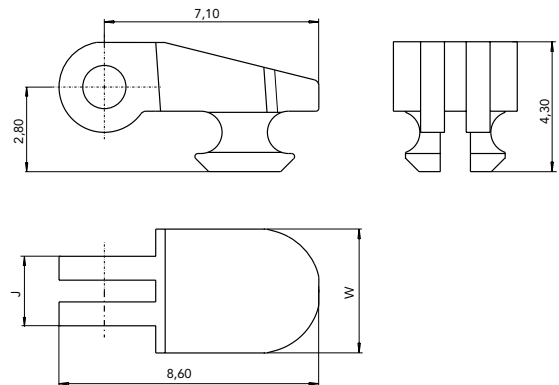
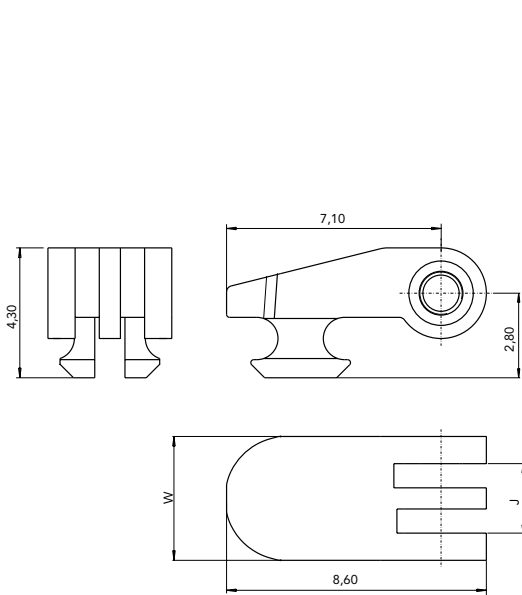


N°46 (4.1)

Regular Hinge
for Injection Frames



INSERT FEMALE HINGE

W	J	CODE
4.10	2.30	03FE41046000

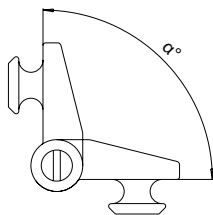
Material: **Nickel silver**

INSERT MALE HINGE

W	J	α	CODE
4.10	2.30	90°	03MA41046000

Material: **Nickel silver**

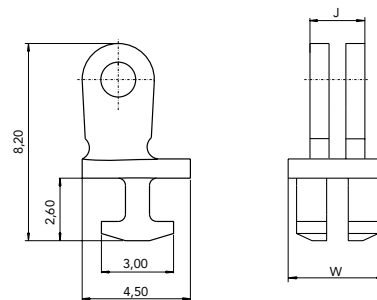
Angolo di chiusura limitato



CLOSING ANGLE

Note: closing angle limited

Verify the combination with
the different front hinge



INSERT MALE HINGE

W	J	α	CODE
4.10	2.30	88°	03MA41003000

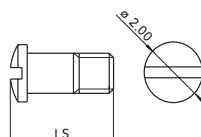
Material: **Nickel silver**

SCREWS

MINUS SCREW M1.40

W	LS	CODE
4.10	4.60	07VI20046012

Material: **Stainless steel**



VIT SCREW M1.40

W	LS	CODE
4.10	4.50	07VI20045029

Material: **Stainless steel**

Visottica Injection Technology

