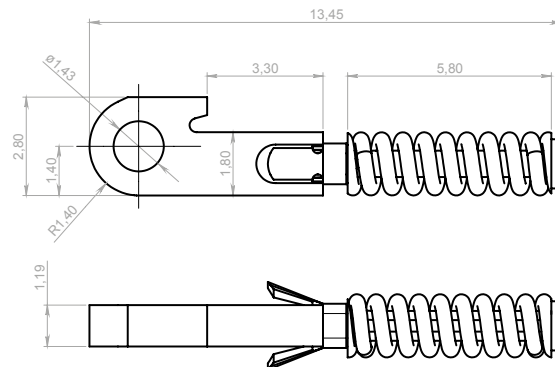


PATENTED

MECHANISM

Value Nickel Silver trolley
for metal temples

V
VISOTTICA
GROUP



SOFT TROLLEY 03CRC9010A2BNX

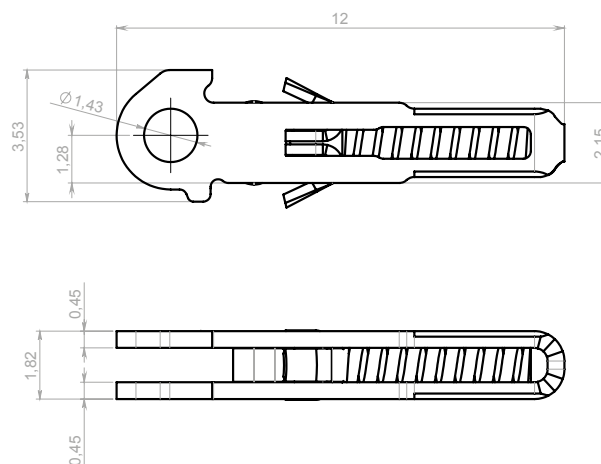
HARD TROLLEY 03CRC6691A2BNX

Material: **Nickel silver**

PATENTED

MECHANISM

High Performance Stainless Steel trolley
for metal temples



SOFT TROLLEY 07CRC8971A1BYX

HARD TROLLEY 07CRA0940A1BYX

Material: **Stainless steel**