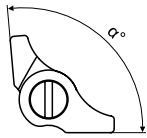
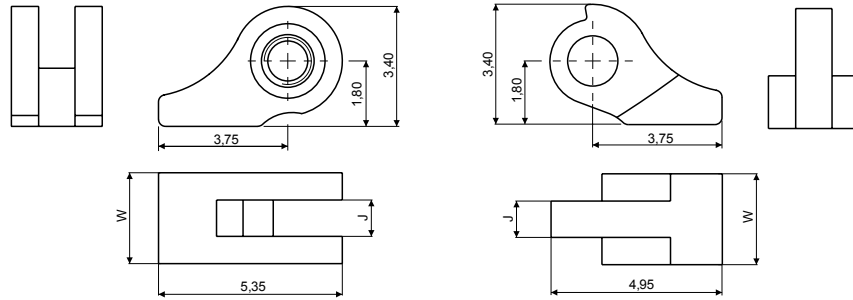


BH334 LA (2.5 · 3.0 · 4.0 · 4.5)

Value Regular Hinge
for Metal Frames

HINGES · 3 JOINTS



Limited Angle

SOLDERING FEMALE

W	J	α	CODE
2.50	1.00	90°	03FEC5817A1BY0
3.00	1.20	90°	03FEC5818A1BY0
4.00	1.60	90°	03FEC5819A1BY0

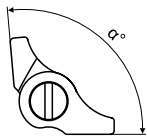
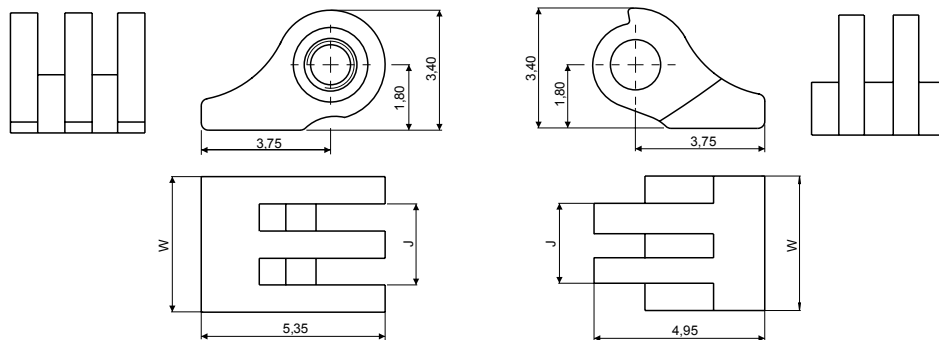
Material: **Nickel silver**

SOLDERING MALE

W	J	CODE
2.50	1.00	03MAC5821A1BYX
3.00	1.20	03MAC5822A1BYX
4.00	1.60	03MAC5823A1BYX

Material: **Nickel silver**

HINGES · 5 JOINTS



Limited Angle

SOLDERING FEMALE

W	J	α	CODE
4.50	2.70	90°	03FEC5820A1BY0

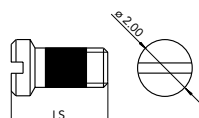
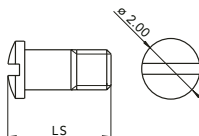
Material: **Nickel silver**

SOLDERING MALE

W	J	CODE
4.50	2.70	03MAC5824A1BYX

Material: **Nickel silver**

SCREWS



MINUS SCREW M1.40

W	LS	CODE
2.50	3.00	07VI20030016
3.00	3.60	07VI20036000
4.00	4.50	07VI20045002
4.50	5.10	07VI20051000

Material: **Stainless steel**

VIT SCREW M1.40

W	LS	CODE
2.50	3.10	07VIC7055A1BYX
3.00	3.50	07VIC7054A1BYX
4.00	4.50	07VIC7059A1BYX
4.50	5.00	07VIC7057A1BYX

Material: **Stainless steel**
Visottica Injection Technology