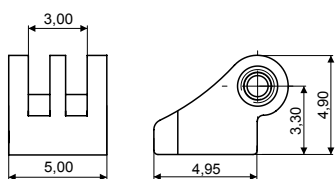
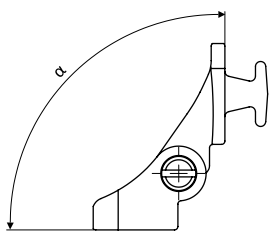


# BH334 LA (5.0)

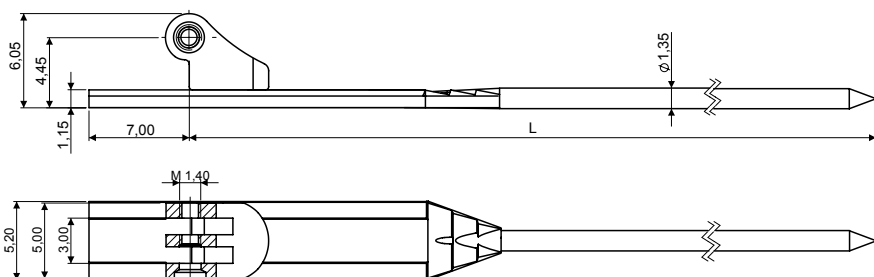
**Value** Regular Hinge and Wirecore  
for **Acetate and Combination Frames**



FEMALE	
$\alpha$	CODE
90°	03FECB021A1BY0
95°	upon request

Material: **Nickel silver**

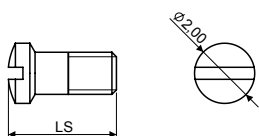
## WIRES



WIRECORE		
$\alpha$	L	CODE
90°	133	03WRCB058A233BN0
95°	133	upon request

Material: **Nickel silver**

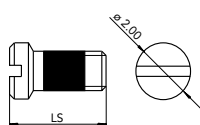
## SCREWS



### MINUS SCREW M1.40

LS	CODE
5.40	07VI20054006

Material: **Stainless steel**

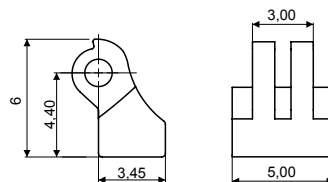


### VIT SCREW M1.40

LS	CODE
5.50	07VIC8940A1BYX

Material: **Stainless steel**  
**Visottica Injection Technology**

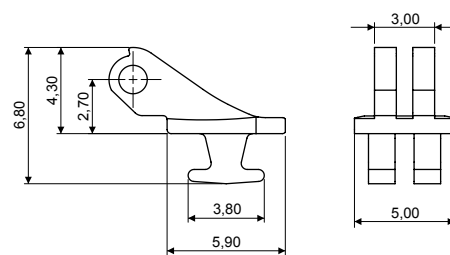
## HINGES



### STEP HINGE

03MACB024A1BYX

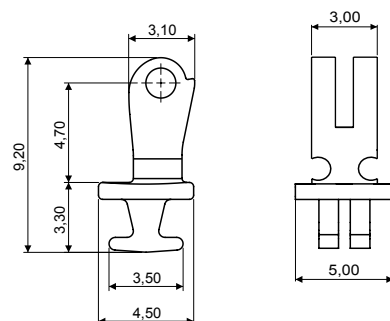
Material: **Nickel silver**



### 180° FRONT HINGE

03MACC145A2BNX

Material: **Nickel silver**



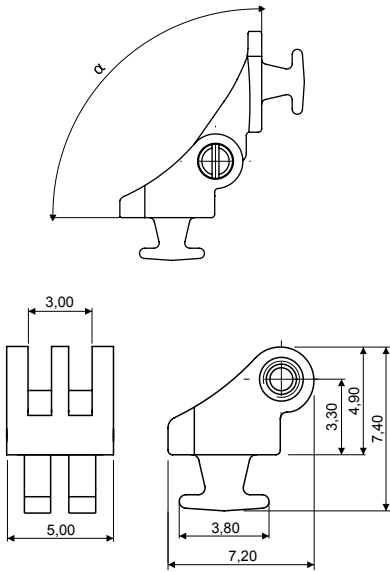
### 90° FRONT HINGE

03MACC341A2BNX

Material: **Nickel silver**  
**HIGH VERSION**

## BH334 LA (5.0)

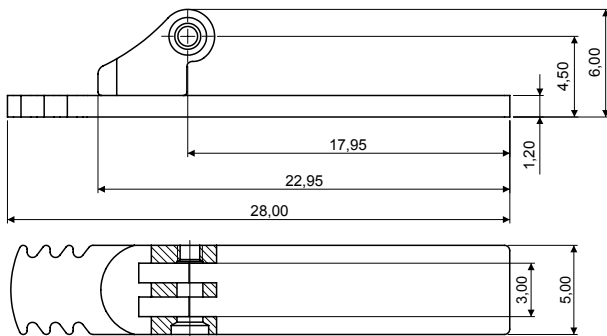
**Value** Regular Hinge and Wirecore  
for **Injection and Combination Frames**



FEMALE	
$\alpha$	CODE
90°	03FEC9480A2BN0
95°	upon request

Material: **Nickel silver**

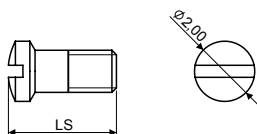
### WIRECORES



SHORT WIRECORE		
$\alpha$	L	CODE
90°	133	03WRCB055A1A1BN0
95°	133	upon request

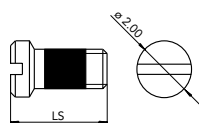
Material: **Nickel silver**

### SCREWS



MINUS SCREW M1.40	
LS	CODE
5.40	07VI20054006

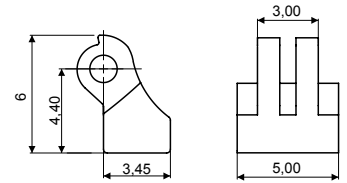
Material: **Stainless steel**



VIT SCREW M1.40	
LS	CODE
5.50	07VIC8940A1BYX

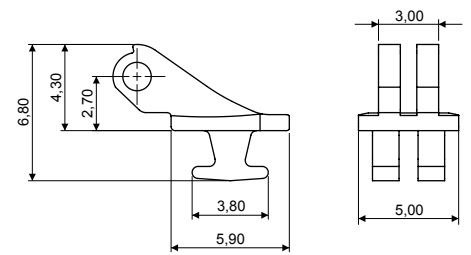
Material: **Stainless steel**  
**Visottica Injection Technology**

### HINGES



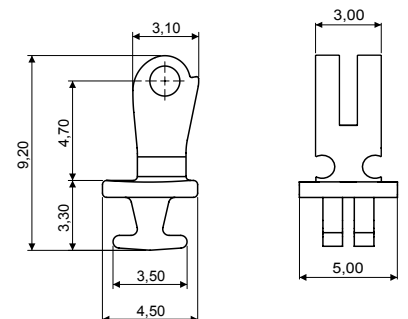
STEP HINGE	
03MACB024A1BYX	

Material: **Nickel silver**



180° FRONT HINGE	
03MACC145A2BNX	

Material: **Nickel silver**



90° FRONT HINGE HIGH VERSION	
03MACC341A2BNX	

Material: **Nickel silver**