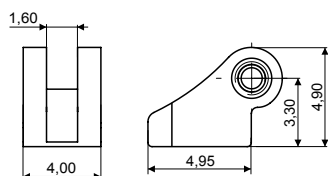
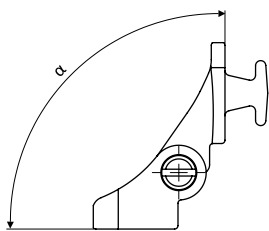


BH334 LA (4.0)

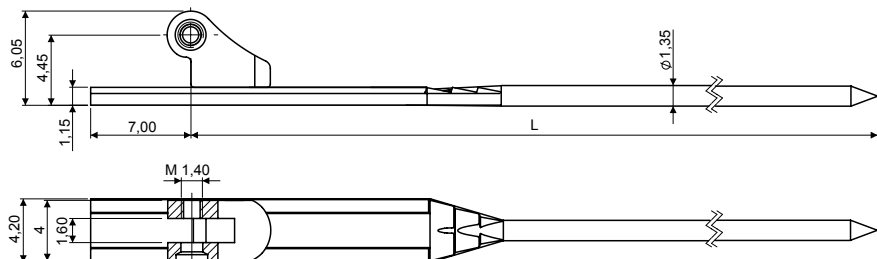
Value Regular Hinge and Wirecore
for Acetate and Combination Frames



FEMALE	
α	CODE
90°	03FECB020A1BY0
95°	upon request

Material: **Nickel silver**

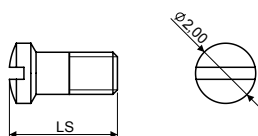
WIRECORES



WIRECORE		
α	L	CODE
90°	133	03WRCB057A233BN0
95°	133	upon request

Material: **Nickel silver**

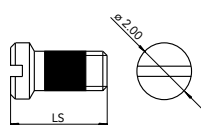
SCREWS



MINUS SCREW M1.40

LS	CODE
4.50	07VI20045002

Material: **Stainless steel**

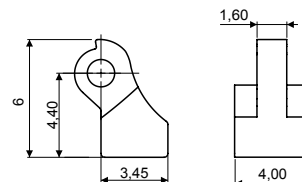


VIT SCREW M1.40

LS	CODE
4.50	07VIC7059A1BYX

Material: **Stainless steel**
Visottica Injection Technology

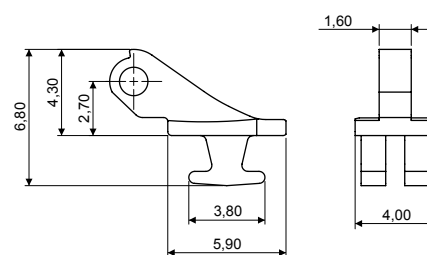
HINGES



STEP HINGE

03MACB023A1BYX

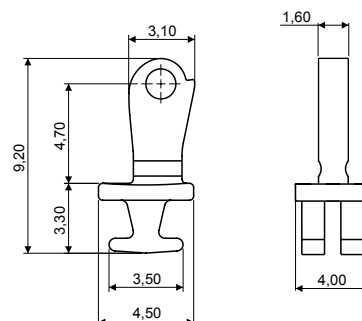
Material: **Nickel silver**



180° FRONT HINGE

03MACB633A2BNX

Material: **Nickel silver**



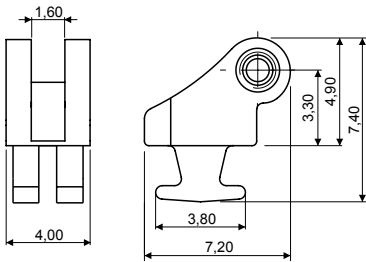
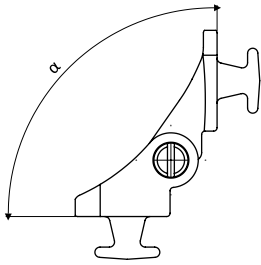
90° FRONT HINGE

03MACC340A2BNX

Material: **Nickel silver**
HIGH VERSION

BH334 LA (4.0)

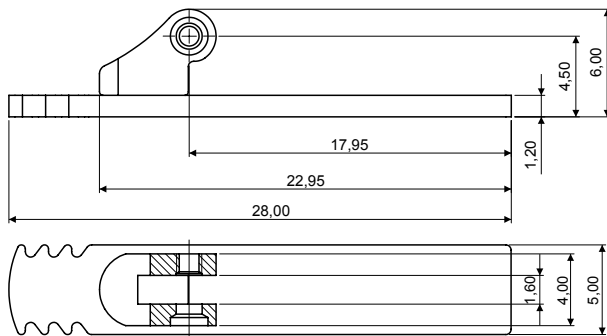
Value Regular Hinge and Wirecore
for **Injection and Combination Frames**



FEMALE	
α	CODE
90°	03FEC9478A2BN0
95°	upon request

Material: **Nickel silver**

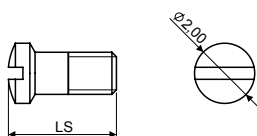
WIRECORES



SHORT WIRECORE		
α	L	CODE
90°	133	03WRCB053A1A1BN0
95°	133	upon request

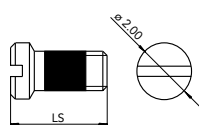
Material: **Nickel silver**

SCREWS



MINUS SCREW M1.40	
LS	CODE
4.50	07VI20045002

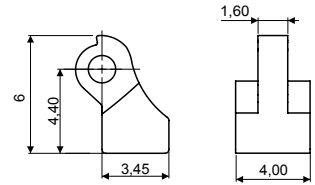
Material: **Stainless steel**



VIT SCREW M1.40	
LS	CODE
4.50	07VIC7059A1BYX

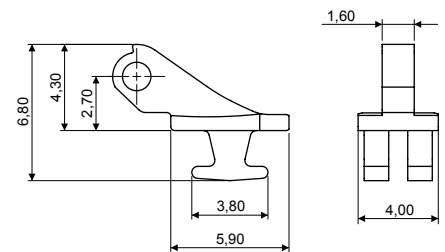
Material: **Stainless steel**
Visottica Injection Technology

HINGES



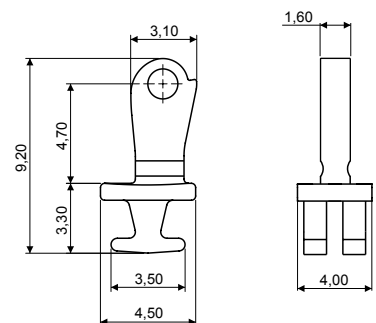
STEP HINGE	
03MACB023A1BYX	

Material: **Nickel silver**



180° FRONT HINGE	
03MACB633A2BNX	

Material: **Nickel silver**



90° FRONT HINGE HIGH VERSION	
03MACC340A2BNX	

Material: **Nickel silver**