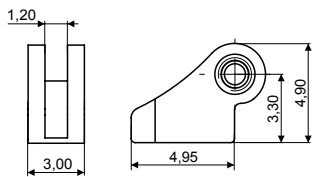
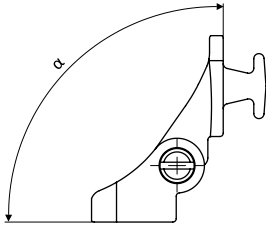


## BH334 LA (3.0)

Value Regular Hinge and Wirecore  
for Acetate and Combination Frames

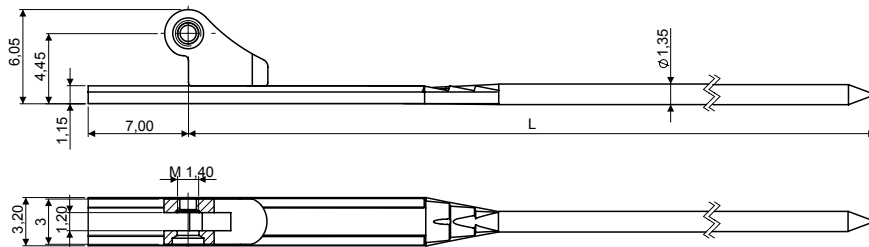


### FEMALE

$\alpha$	CODE
90°	03FECB019A1BY0
95°	upon request

Material: **Nickel silver**

### WIRECORES

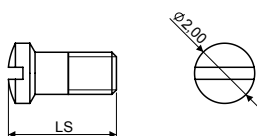


### WIRECORE

$\alpha$	L	CODE
90°	133	03WRCB056A233BN0
95°	133	upon request

Material: **Nickel silver**

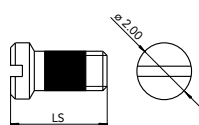
### SCREWS



### MINUS SCREW M1.40

LS	CODE
3.60	07VI20036000

Material: **Stainless steel**

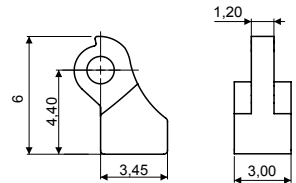


### VIT SCREW M1.40

LS	CODE
3.50	07VIC7054A1BYX

Material: **Stainless steel**  
**Visottica Injection Technology**

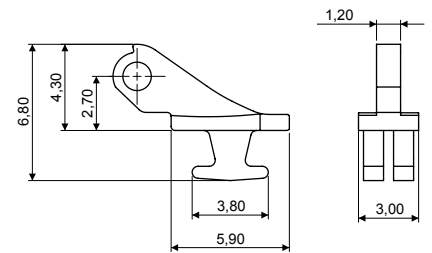
### HINGES



### STEP HINGE

03MACB022A1BYX

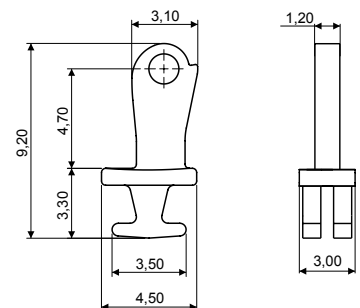
Material: **Nickel silver**



### 180° FRONT HINGE

03MACC144A2BNX

Material: **Nickel silver**



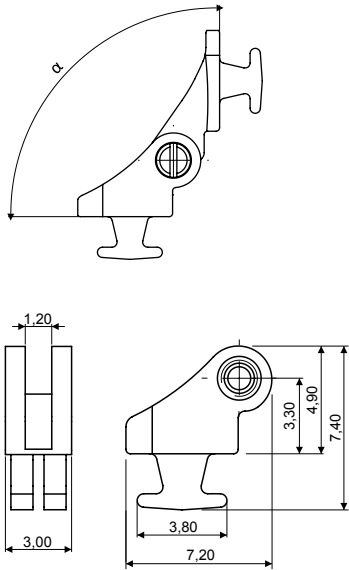
### 90° FRONT HINGE

03MACC339A2BNX

Material: **Nickel silver**  
**HIGH VERSION**

# BH334 LA (3.0)

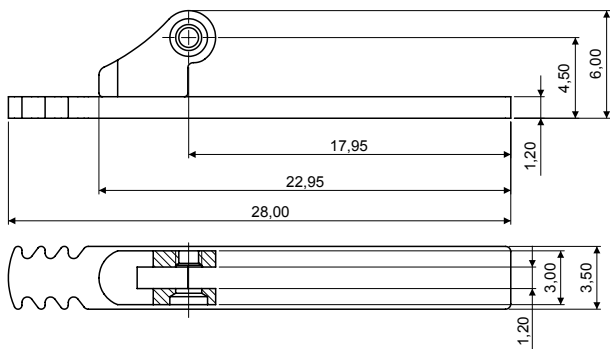
**Value** Regular Hinge and Wirecore  
for **Injection and Combination Frames**



FEMALE	
$\alpha$	CODE
90°	03FEC9476A2BN0
95°	upon request

Material: **Nickel silver**

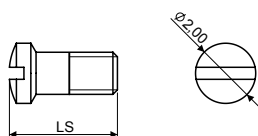
## WIRECORES



SHORT WIRECORE		
$\alpha$	L	CODE
90°	133	03WRCB051A1A1BN0
95°	133	upon request

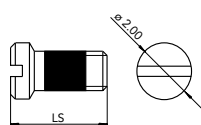
Material: **Nickel silver**

## SCREWS



MINUS SCREW M1.40	
LS	CODE
3.60	07VI20036000

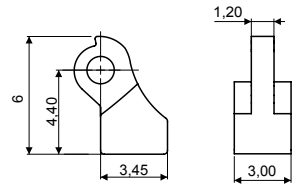
Material: **Stainless steel**



VIT SCREW M1.40	
LS	CODE
3.50	07VIC7054A1BYX

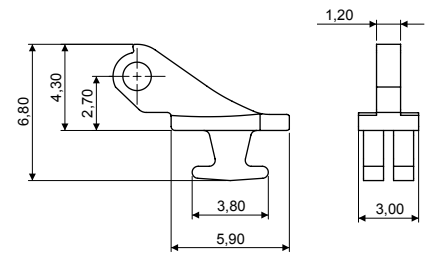
Material: **Stainless steel**  
**Visottica Injection Technology**

## HINGES



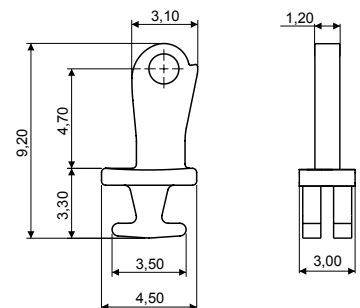
STEP HINGE	
03MACB022A1BYX	

Material: **Nickel silver**



180° FRONT HINGE	
03MACC144A2BNX	

Material: **Nickel silver**



90° FRONT HINGE HIGH VERSION	
03MACC339A2BNX	

Material: **Nickel silver**