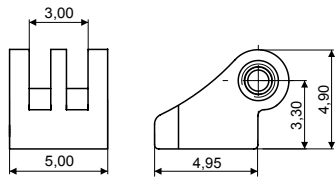


BH334 (5.0)

Value Regular Hinge and Wirecore
for **Acetate and Combination Frames**

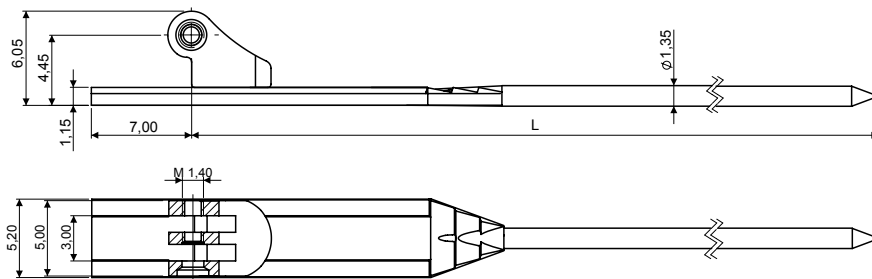


SOLDERING FEMALE

CODE 03FEC8841A1BY0

Material: **Nickel silver**

WIRECORES

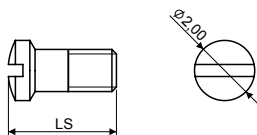


WIRECORE

L 128	03WRC8915A128BN0
L 133	03WRC8915A233BN0

Material: **Nickel silver**

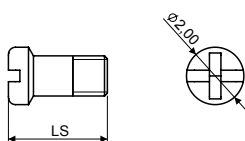
SCREWS



MINUS SCREW M1.40

LS	CODE
5.40	07VI20054006

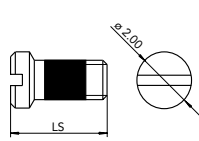
Material: **Stainless steel**



PLUS MINUS SCREW M1.40

LS	CODE
5.50	07VIC7363A1BYX

Material: **Stainless steel**

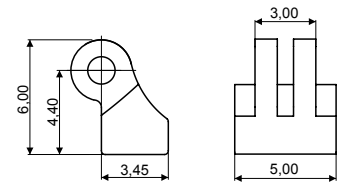


VIT SCREW M1.40

LS	CODE
5.50	07VIC8940A1BYX

Material: **Stainless steel**
Visottica Injection Technology

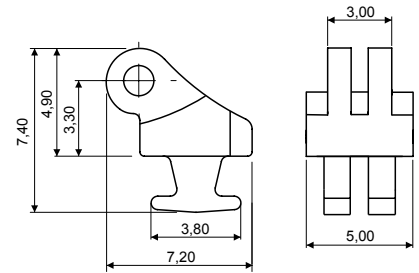
HINGES



STEP HINGE

03MAC8842A1BYX

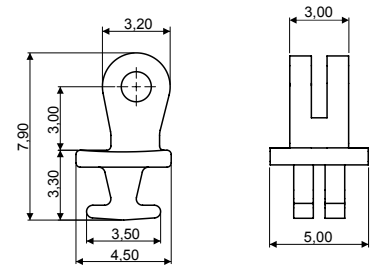
Material: **Nickel silver**



180° INSERT HINGE

03MAC8840A2BNX

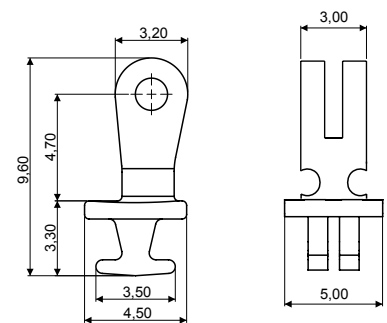
Material: **Nickel silver**



90° INSERT HINGE

03MAC8846A2BNX

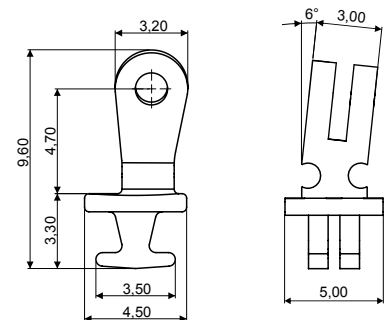
Material: **Nickel silver**



90° INSERT HINGE

03MAC8847A2BNX

Material: **Nickel silver**
HIGH VERSION ADJUSTABLE



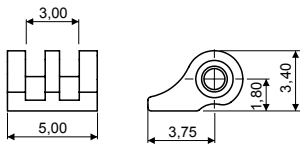
90° INSERT HINGE

03MAC8848A2BN0

Material: **Nickel silver**
HIGH VERSION ADJUSTABLE 6° SLANTED ANGLE

BH334 (5.0)

Value Regular Hinge and Wirecore
for **Injection and Combination Frames**

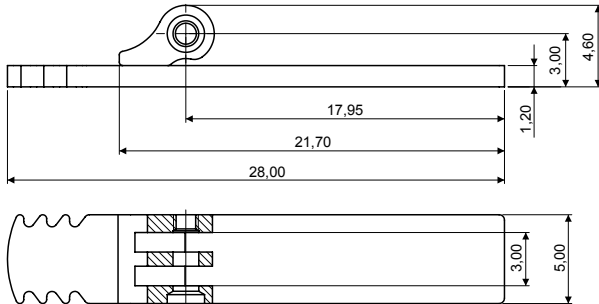


SOLDERING FEMALE

CODE 03FEC8843A1BY0

Material: **Nickel silver**

WIRECORES

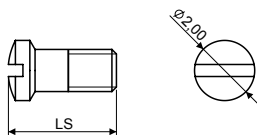


SHORT INJECTION WIRECORE SMALL STEP

CODE 03WRC8917A1A1BN0

Material: **Nickel silver**

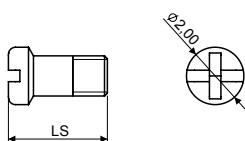
SCREWS



MINUS SCREW M1.40

LS	CODE
5.40	07VI20054006

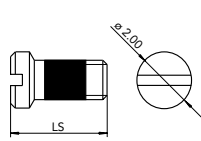
Material: **Stainless steel**



PLUS MINUS SCREW M1.40

LS	CODE
5.50	07VIC7363A1BYX

Material: **Stainless steel**

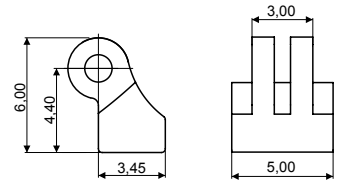


VIT SCREW M1.40

LS	CODE
5.50	07VIC8940A1BYX

Material: **Stainless steel**
Visottica Injection Technology

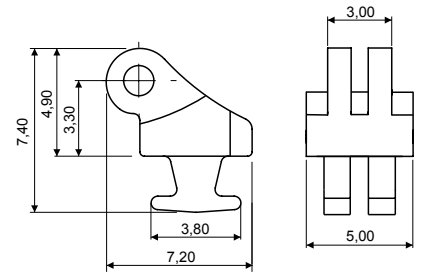
HINGES



STEP HINGE

03MAC8842A1BYX

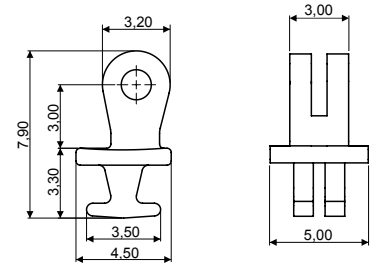
Material: **Nickel silver**



180° INSERT HINGE

03MAC8840A2BNX

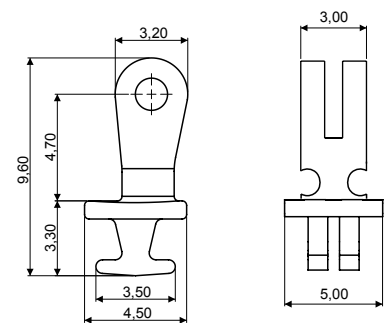
Material: **Nickel silver**



90° INSERT HINGE

03MAC8846A2BNX

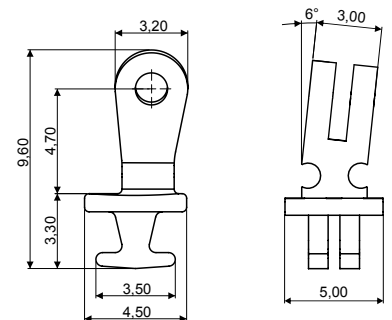
Material: **Nickel silver**



90° INSERT HINGE

03MAC8847A2BNX

Material: **Nickel silver**
HIGH VERSION ADJUSTABLE



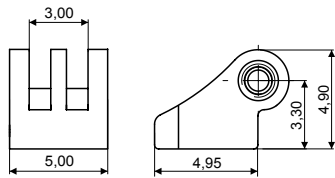
90° INSERT HINGE

03MAC8848A2BN0

Material: **Nickel silver**
HIGH VERSION ADJUSTABLE 6° SLANTED ANGLE

BH334 (5.0)

Value Regular Hinge and Wirecore
for **Injection and Combination Frames**

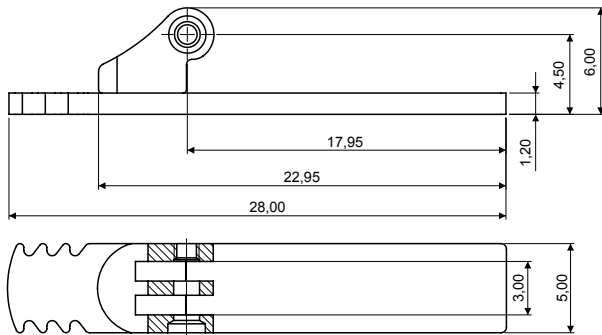


SOLDERING FEMALE

CODE 03FEC8841A1BY0

Material: **Nickel silver**

WIRECORES

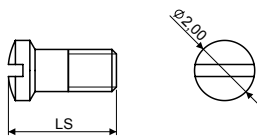


SHORT INJECTION WIRECORE BIG STEP

CODE 03WRC8916A1A1BN0

Material: **Nickel silver**

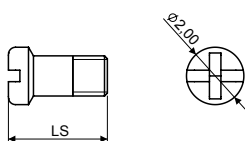
SCREWS



MINUS SCREW M1.40

LS	CODE
5.40	07VI20054006

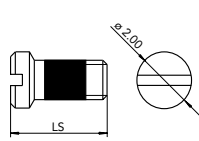
Material: **Stainless steel**



PLUS MINUS SCREW M1.40

LS	CODE
5.50	07VIC7363A1BYX

Material: **Stainless steel**

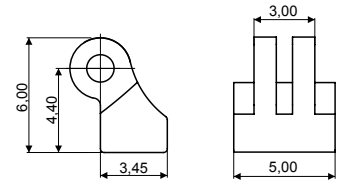


VIT SCREW M1.40

LS	CODE
5.50	07VIC8940A1BYX

Material: **Stainless steel**
Visottica Injection Technology

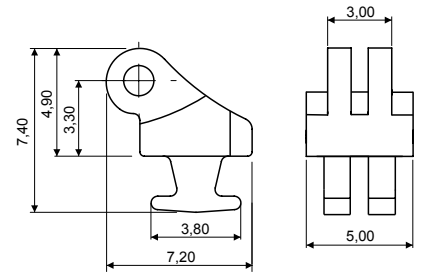
HINGES



STEP HINGE

03MAC8842A1BYX

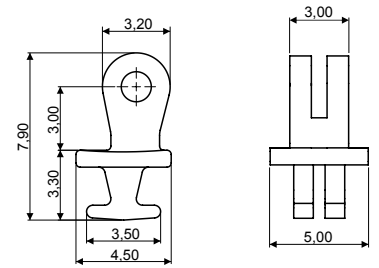
Material: **Nickel silver**



180° INSERT HINGE

03MAC8840A2BNX

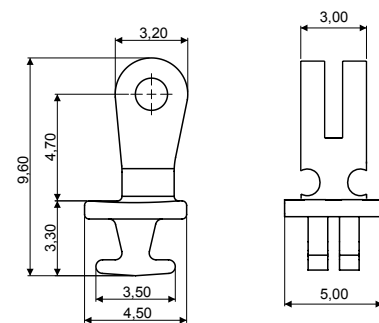
Material: **Nickel silver**



90° INSERT HINGE

03MAC8846A2BNX

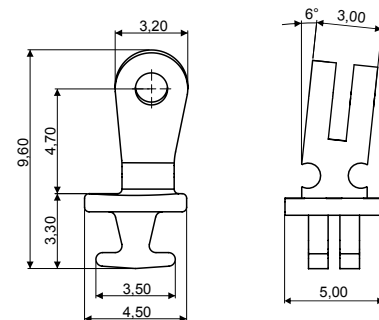
Material: **Nickel silver**



90° INSERT HINGE

03MAC8847A2BNX

Material: **Nickel silver**
HIGH VERSION ADJUSTABLE



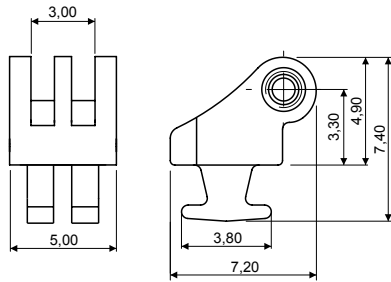
90° INSERT HINGE

03MAC8848A2BN0

Material: **Nickel silver**
HIGH VERSION ADJUSTABLE 6° SLANTED ANGLE

BH334 (5.0)

Value Regular Hinge and Wirecore
for **Injection and Combination Frames**

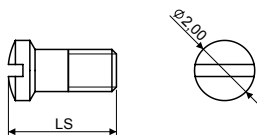


INSERT FEMALE

CODE 03FEC8839A2BN0

Material: **Nickel silver**

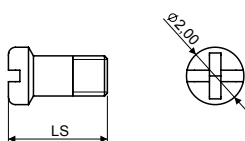
SCREWS



MINUS SCREW M1.40

LS	CODE
5.40	07VI20054006

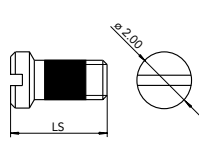
Material: **Stainless steel**



PLUS MINUS SCREW M1.40

LS	CODE
5.50	07VIC7363A1BYX

Material: **Stainless steel**

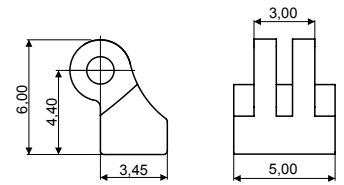


VIT SCREW M1.40

LS	CODE
5.50	07VIC8940A1BYX

Material: **Stainless steel**
Visottica Injection Technology

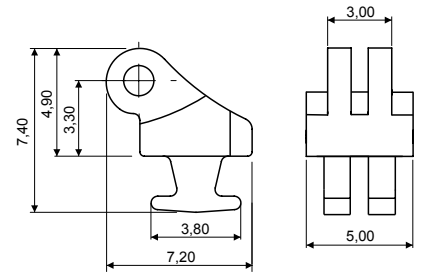
HINGES



STEP HINGE

03MAC8842A1BYX

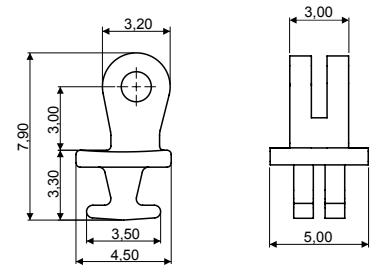
Material: **Nickel silver**



180° INSERT HINGE

03MAC8840A2BNX

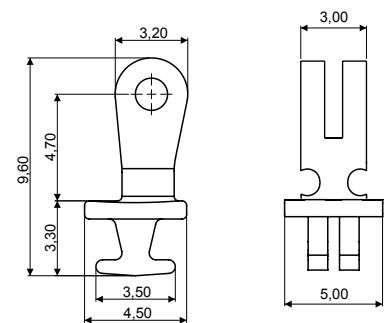
Material: **Nickel silver**



90° INSERT HINGE

03MAC8846A2BNX

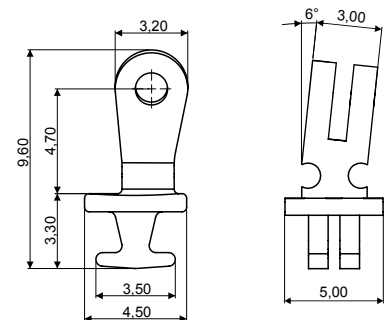
Material: **Nickel silver**



90° INSERT HINGE

03MAC8847A2BNX

Material: **Nickel silver**
HIGH VERSION ADJUSTABLE



90° INSERT HINGE

03MAC8848A2BN0

Material: **Nickel silver**
HIGH VERSION ADJUSTABLE 6° SLANTED ANGLE