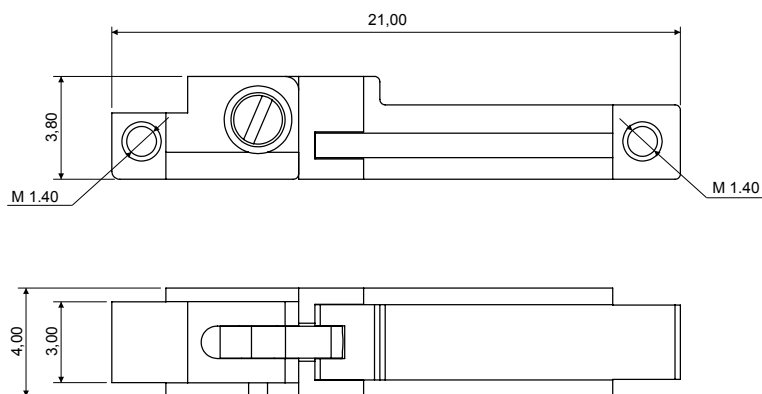


# AMIFLEX

Special Spring Hinge  
for 3D Printing and Injection Eyewear

## ASSEMBLED HINGE



**ASSEMBLED HINGE nickel-plated**

03ELCG146A1BN0

Material: **Nickel silver**

Trolley: **Hard Trolley**

Note: **Soft Trolley** available on request

## SCREWS

**ASSEMBLING SCREW M1.40 AVAILABLE**

Material: **Stainless steel**

